

# CELLULAR & PLEATED SHADES INSTALL INSTRUCTIONS

SIMPLY FOLLOW OUR STEP-BY-STEP INSTRUCTIONS, AND YOUR BEAUTIFUL NEW SHADES WILL SOON BE ENHANCING YOUR HOME OR WORK SPACE FOR MANY YEARS TO COME.

## Getting Started:

Carefully unpack your shades and check to make sure you have the following installation parts. We recommend reading through these instructions before starting the installation.

### Parts Included:

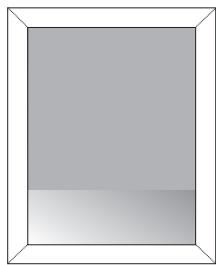
- Screws
- Mounting brackets
- Cord cleat (standard control)
- Tension device (continuous loop control)

### Tools You Will Need:

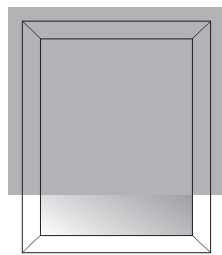
- Drill with a 1/8" bit
- A hex head and / or Phillips bit
- Screwdriver
- Metal tape measure

\* According to the Window Covering Manufacturers Association Inc., all labels must not be removed from the product.

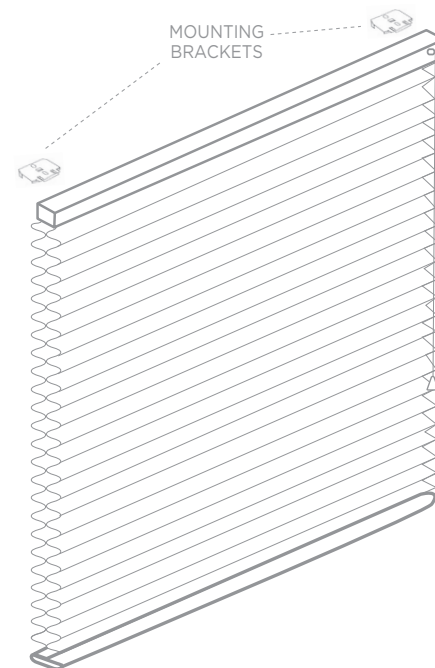
\* To comply with child safety standards, all tension devices must be installed per the installation instructions provided in step 4.



Inside Mount



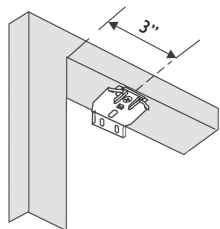
Outside Mount



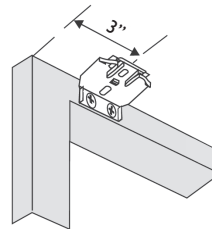
## I. Bracket Installation:

Bracket spacing is the same for both inside and outside mounts. Two mounting brackets are positioned so that their center lines are 3" from the ends of the shades. If more than two brackets are required, additional brackets have been supplied and are to be spaced evenly between the two end brackets. Measure and mark all bracket center lines.

**Inside Mount / Ceiling Mount:** The brackets are mounted flat against the top sill surface. Place the screw through the hole closest to the front of the bracket.



**Outside Mount:** The brackets are mounted with two screws through the back end of the bracket flat against the window molding or the wall above the window.



Please note that your brackets must be securely attached to the mounting surface. If your screws do not hit wood studs you'll have to use a different fastener which can be found at any local hardware store.

# CELLULAR & PLEATED SHADES INSTALL INSTRUCTIONS (continued)

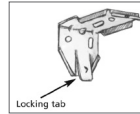
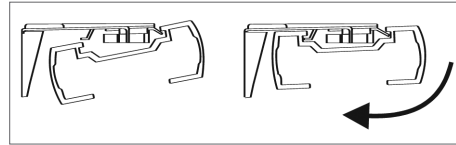
SIMPLY FOLLOW OUR STEP-BY-STEP INSTRUCTIONS, AND YOUR BEAUTIFUL NEW SHADES WILL SOON BE ENHANCING YOUR HOME OR WORK SPACE FOR MANY YEARS TO COME.

## 2. Installing the Shade:

Unwind the cord from the shade but keep the rubber band around the shade stack.

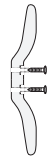
- Hold the shade up near the brackets and insert the front clip of the bracket into the front groove of the rail.
- Make sure the shade is centered in the window opening.
- Push the rail back and up until the back clips of the bracket are inserted in the back groove of the rail.

To remove shade, reverse procedure (for cordless & continuous cord loop press locking tab on back of each bracket to release).



## 3. Attaching the Cord Cleat (Standard Control):

To protect small children, you should install the cord cleat to keep the control cords out of harm's way. Simply mount the cord cleat to the wall or window frame next to the shade with the screws provided. Mount the cord cleat at a safe height, taking into account furniture or other objects upon which a child may climb. Then, after each use of the shade, simply wrap the excess cord around the cleat. It's fast, easy and safe.



## 4. Installing Tension Device (Continuous Loop Control):

### Consider Position of Tension Device:

The tension device should be positioned on the window frame or the wall so that the tension device and control cord does not interfere with operation / hanging of shade.

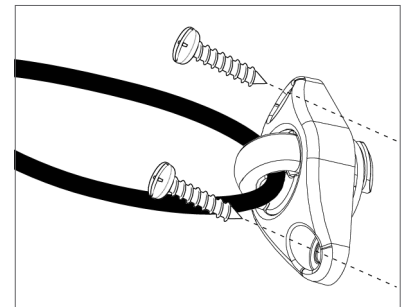
**The tension device should be installed so that cord is taut without stretching or pulling down on it. Stretching the cord will cause excessive wear. Do not twist or cross the control cord.**

### Install Tension Device:

Press and hold the back spring on the tension device that is pre-installed at the top of the cord loop. With the spring held, slide the device down to the bottom of the loop to where you would like the device positioned.

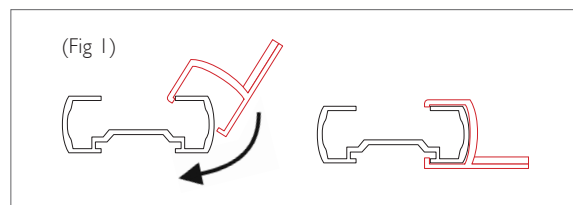
Insert and secure the two screws through the holes in the device. The loop should now pass freely through the tension device.

**Please Note:** When attaching to wood, included screws can be screwed directly into wood. When attaching to drywall and metal, use anchors that are designed for such substrates. Visit your local hardware store for guidance on appropriate anchors for your substrate.



## 5. Installing Clear Handle Grip (Cordless Control):

Attach the clear handle grip to the center of the bottom rail. Avoid grabbing the shade fabric by lifting pleats out of the way. Attach the grip (Fig 1) to the rail as shown. Rotate grip downward and snap lower portion to bottom of the rail until it snaps into place.



## Care and Cleaning:

If the shade is dusty, simply vacuum over it using an upholstery attachment. For cleaning soiled spots, we recommend contacting the Help Desk.

## Warranty:

The Shade Store products are covered by a limited lifetime warranty. This warranty covers any defects in materials or workmanship so long as the product is measured and installed according to instructions. Every Shade Store window treatment is designed to provide trouble-free use. In the unlikely event that warranty service is ever needed, simply contact the Help Desk at [help@theshadestore.com](mailto:help@theshadestore.com) or 800-754-1455 for assistance.