

LENOX / BOWERY HARDWARE INSTALLATION INSTRUCTIONS

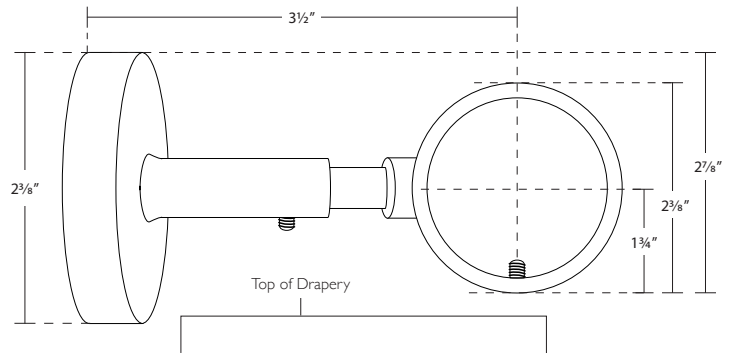
Getting Started: Please read through all instructions carefully before you begin installation.

Unpack all materials making sure all components are included:

- Screws
- Pole(s)
- Mounting Brackets
- Allen Key
- Finials
- Splice (only included with rails over 8ft)

Tools You Will Need:

- Drill with 1/8" bit and a phillips bit
- Phillips screwdriver
- Metal tape measure



* Please note the important dimensions above as they will be helpful in determining your installation height.

INSTALLING YOUR DRAPERY HARDWARE: Please read through all instructions carefully before you begin installation.

1 Mark

Mark the height you would like the top of your drapery to be installed at, take into account any clearance or puddling you desire at the bottom. The center of your bracket should be mounted 1 3/4" higher than that mark.

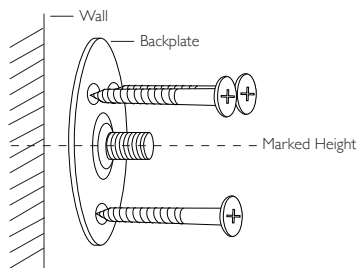
2 Mount

Measure the width of the track. Mark the placement of the two end brackets at the height determined in step 1, approximately 3" – 4" in from the ends of where the track will be installed.

Take the backplate off the bracket and place the center of the backplate at marked height. (remove backplate from the bracket by rotating plate counter clockwise).

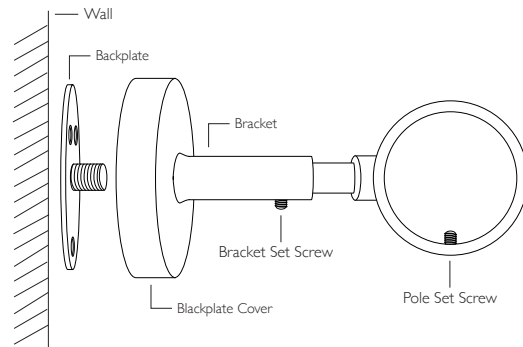
Drill in screws through each hole for a secure mount. Repeat this process for all other brackets evenly spacing them between the two installed brackets.

NOTE: The top of the bracket will rise 5/8" above the pole.



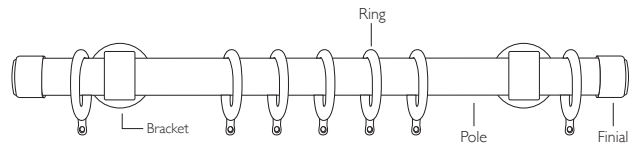
3 Assemble Bracket

Reassemble the bracket onto the backplate. Screw bracket clockwise onto backplate. Turn until tight. Make sure bracket opening is vertical (loosen small hex to adjust and tighten once complete).



4 Attach Rings & Poles

Slide rings onto pole, you may want to leave one ring on the outside of each of the end brackets. Insert pole through bracket openings. Tighten set screws on brackets to secure pole.



5 Finials

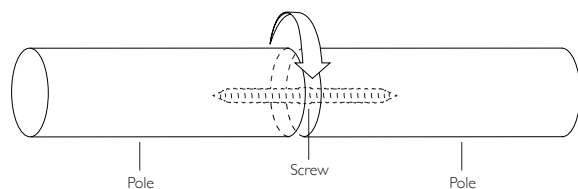
Attach finials to both ends of the pole. Tighten set screws on finials to secure to pole.

INSTALLING RAIL SYSTEM OVER 8FT WIDE-WITH 2 POLES: Please read through all instructions carefully before you begin installation.

All rail sets over 8ft will come as 2 poles. A center bracket must be used on the splice where the poles meet.

All poles sets over 8ft will come as 2 poles.

- Insert splice into open end of each pole.
- Using the poles, tighten them onto one another by twisting. Evenly distribute the depth of the splice into each pole.
- Place middle bracket over splice location.



LENOX / BOWERY HARDWARE INSTALLATION INSTRUCTIONS CONTINUED

INSTALLING CEILING MOUNT: Please read through all instructions carefully before you begin installation.

1 Mark (Figure 1)

Mark ceiling where center of pole will be installed. Make sure to clear all obstructions.

2 Mounting

Measure the width of the track. Mark the placement of the two end brackets at the depth determined in steps above, approximately 3" – 4" in from the ends of where the track will be installed.

Take the backplate off the bracket and place the center of the backplate at mark. (remove backplate from the bracket by rotating plate counter clockwise).

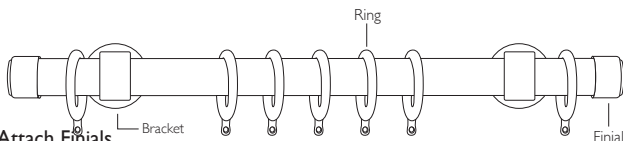
Drill in screws through each hole for a secure mount. Repeat this process for all other brackets evenly spacing them between the two installed brackets.

3 Assemble Bracket (Figure 2)

Reassemble the bracket onto the back plate. Screw bracket clockwise onto backplate. Turn until tight.

4 Attach Rings and Poles

Slide rings onto pole, you may want to leave one ring on the outside of each of the end brackets. Insert pole through bracket openings. Tighten set screws on brackets to secure pole.



5 Attach Finials

Slide rings onto pole, you may want to leave one ring on the outside of each of the end brackets. Insert pole through bracket openings. Tighten set screws on brackets to secure pole.

