

# ROYAL WOOD HARDWARE INSTALLATION INSTRUCTIONS

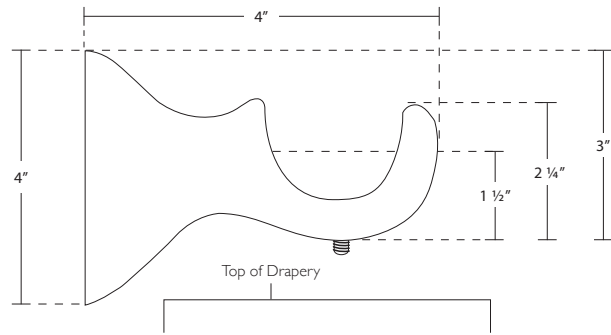
**Getting Started:** Please read through all instructions carefully before you begin installation.

Unpack all materials making sure all components are included:

- Pole(s)
- Drapery Rings
- Finials
- Mounting Brackets
- Wood Pole Connector (only included with poles over 96")
- Allen Key
- Screws

**Tools You Will Need:**

- Drill with 1/8" bit and a phillips bit
- Phillips screwdriver
- Metal tape measure



\* Please note the important dimensions above as they will be helpful in determining your installation height.

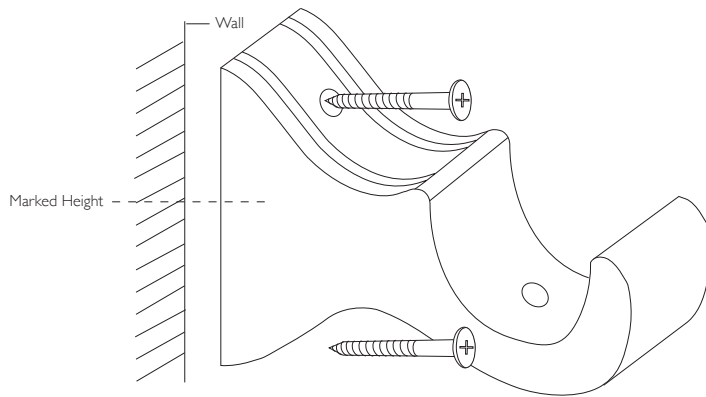
**INSTALLING YOUR DRAPERY HARDWARE:** Please read through all instructions carefully before you begin installation.

**1 Mark**

Mark the height you would like the top of your drapery to be installed at, take into account any clearance or puddling you desire at the bottom. The center of your bracket should be mounted 1 3/4" higher than that mark.

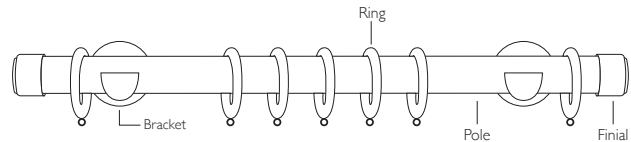
**2 Mount**

Place top of bracket 1/2" above marked height. Drill in screws through the top and bottom holes for a secure mount. Repeat this process for all other brackets you install.



**3 Attach Rings & Poles**

Slide rings onto pole, you may want to leave one ring on the outside of each of the end brackets. Insert pole through bracket openings. Tighten set screws on brackets to secure pole.



**4 Finials**

Attach finials to both ends of the pole. Tighten set screws on finials to secure to pole.

**INSTALLING POLE SYSTEM OVER 96" WIDE-WITH 2 POLES:** Please read through all instructions carefully before you begin installation.

All pole sets over 96" will come as 2 poles. A center bracket must be used over where the poles meet.

- Screw wood pole connector into center of each pole.
- Ensure wood pole connector is screwed into each pole at equal depths.
- Tighten until poles meet.

