

SWAROVSKI HARDWARE INSTALLATION INSTRUCTIONS

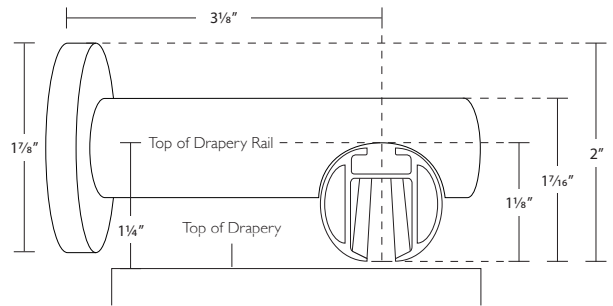
Getting Started: Please read through all instructions carefully before you begin installation.

Unpack all materials making sure all components are included:

- Screws
- Rail(s)
- Mounting brackets + backplate
- Allen keys
- End caps (finials)
- Splice (only included with rails over 9ft)
- No rings come with this collection

Tools You Will Need:

- Drill with 1/8" bit and a phillips bit
- Phillips screwdriver
- Metal tape measure



* Please note the important dimensions above as they will be helpful in determining your installation height.

INSTALLING WALL MOUNT - SINGLE SET: Please read through all instructions carefully before you begin.

1. Mark

Mark the height you would like the top of your drapery rail to be installed, taking into account any clearance or puddling you desire at the bottom, as well as top of rail to top of drapery difference - 1 1/4".

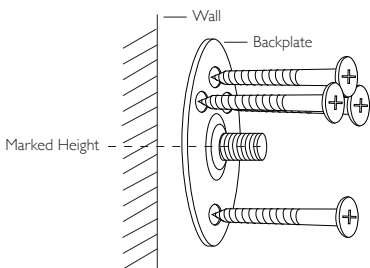
2. Mount

Measure the width of the track. Mark the placement of the two end brackets at the height determined in step 1, approximately 3" - 4" in from the ends of where the track will be installed.

Take the back plate off the bracket and place the center of the back plate at marked height (Remove back plate from the bracket by rotating plate counter clockwise.)

Drill in screws through the top and bottom holes for secure mount. Repeat this process for all other brackets evenly spacing them between the two installed brackets.

NOTE: The top of bracket will rise 1" above the rail.



3. Assemble Bracket

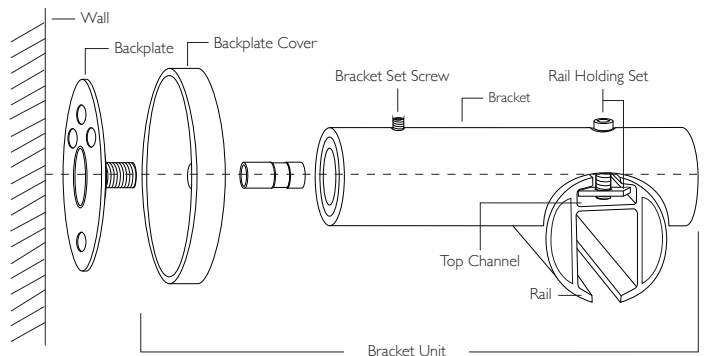
Reassemble the bracket onto the back plate. Screw bracket clockwise onto back plate. Turn until tight. Make sure bracket is facing down (loosen bracket set screw to adjust and tighten once complete).

4. Attach Rail To Bracket

Make sure rail holding set is attached to the bracket loosely (you should receive it this way).

Attach the rail to the brackets making sure holding rail set slips into top channel.

Lock the rail holding set into the top channel using included Allen key.



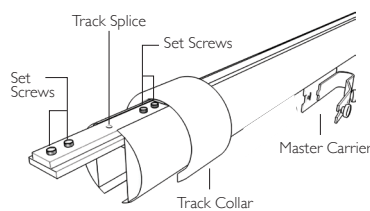
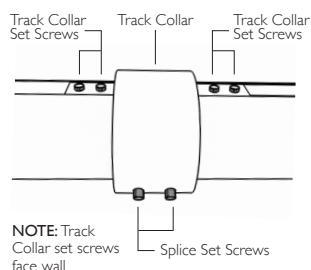
5 Attach End Caps

Attach end caps to both ends of the rail.

INSTALLING A TRACK SYSTEM OVER 104" WIDE: Please read through all instructions carefully before you begin installation.

PLEASE NOTE:

- Tracks greater than 104" will come as two pieces
- Tracks greater than 208" will come as three pieces
- Tracks greater than 312" will come as four pieces



1. Insert the **Track Splice** into the top channel of one of the tracks.
2. Tighten 2 set screws securely with included Allen Key.
3. Slide **Track Collar** onto same track. Make sure set screws will not scratch the track and will be facing the wall when installation is complete. Do not tighten set screws yet.
4. Once both tracks have been attached to mounting brackets, butt the two tracks up against one another and ensure they line up seamlessly.
 - Make sure the "arm(s)" of the master carrier(s) are facing into the room.
5. Tighten the other 2 set screws on the Track Splice.
6. Slide the **Track Collar** over the two tracks so that it is now covering and centered over the joint and will not interfere with operation.
7. Tighten the set screws on the **Track Collar** with the included Allen Key.
8. Use the set screws on the **Track Collar** to adjust the alignment of each track to one another.

SWAROVSKI HARDWARE INSTALLATION INSTRUCTIONS (CONTINUED)

INSTALLING WALL MOUNT - DOUBLE SET: Please read through all instructions carefully before you begin.

1. Mark

Mark the height you would like the top of your drapery rail to be installed, taking into account any clearance or puddling you desire at the bottom, as well as top of rail to top of drapery difference - 1/4".

2. Mount

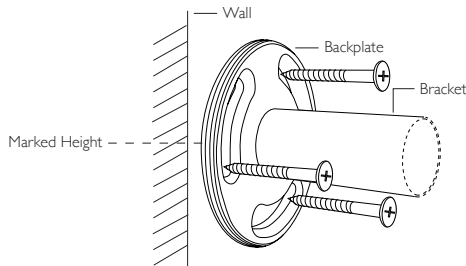
Measure the width of the track. Mark placement of the two end brackets at the height determined in step 1, approximately 3" – 4" in from the ends of where the track will be installed.

Unscrew back plate cover from back plate. Do not remove bracket from back plate. Place the center of the back plate at marked height.

Proceed to install brackets making sure brackets face down.

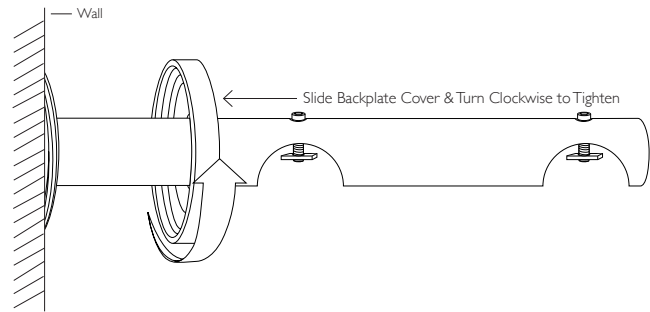
Drill in screws through the 3 slots for secure mount. Repeat this process for all other brackets evenly spacing them between the two end brackets.

NOTE: the top of the bracket will rise 1 3/8" above the rail.



3. Assemble Bracket

Reassemble the cover plate onto the back plate. Screw cover plate clockwise onto back plate. Turn until tight.

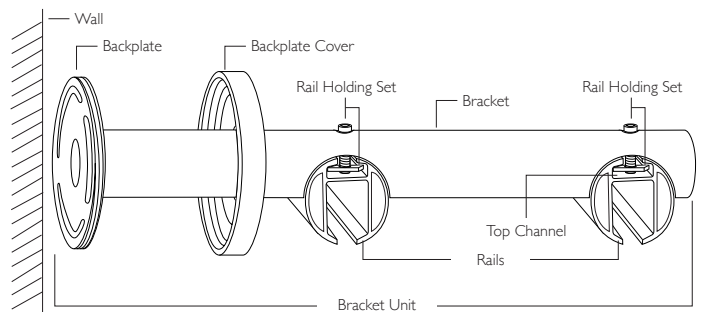


4. Attach Rail To Bracket

Make sure rail holding set is attached to the bracket loosely (You should receive it this way.)

Attach the rails to the brackets making sure holding rail set slips into top channel.

Lock the rail holding set into the top channel using included Allen key.



5. Attach End Caps

Attach end caps to both ends of the rails.

INSTALLING CEILING MOUNT: Please read through all instructions carefully before you begin.

1. Mark (Figure 1)

Mark ceiling where center of rail will be installed. Make sure to clear all obstructions.

NOTE: A minimum of 2 1/4" off the back wall for pleat clearance is required for Ripple Fold Drapery.

2. Mounting

Measure the width of the track. Mark the placement of the two end brackets at the depth determined in step 1, approximately 3" – 4" in from the ends of where the track will be installed.

Remove stem cover from bracket by loosening hex screw.

Install center of stem cover on mark. Secure to ceiling with appropriate hardware (consult your local hardware store if necessary for a secure install).

3. Attaching Rail (Figure 2)

Attach bracket stems to rail by sliding rail holding set into the top channel. Repeat same for all brackets.

Line up each bracket to the installed stem covers by sliding and setting at appropriate locations. Setting the brackets is done by rotating bracket clockwise until secure.

Slide all brackets onto the installed stem covers and secure by tightening hex screw.

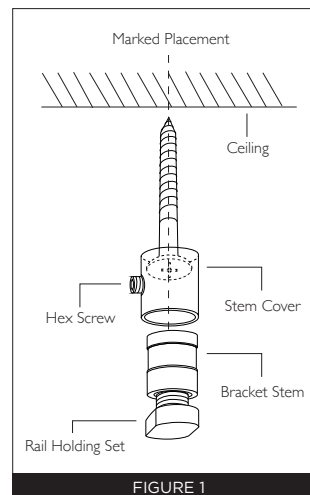


FIGURE 1

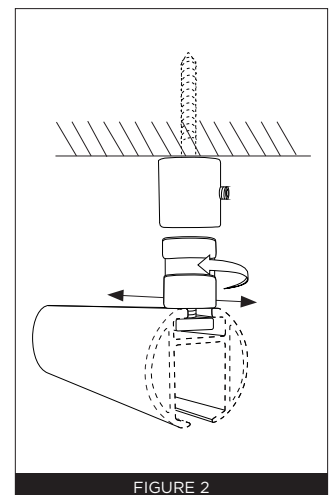


FIGURE 2

* Double check to make sure brackets are installed properly to avoid rail from dislodging from stem covers.