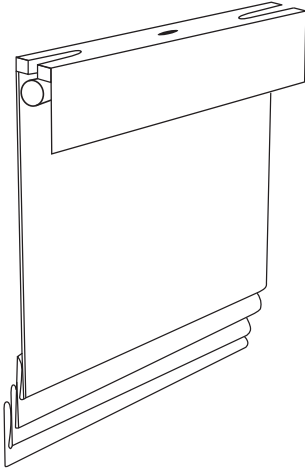


INSTALLING YOUR MOTORIZED BAMBOO & GRASS WOVEN WOOD SHADE



PARTS INCLUDED:

- Mounting Screws
- Mounting Brackets & Wing Nuts (outside mount only)
- Auxiliary Support Brackets (if your shades require them)
- 1x Plug-In Charger w/Extension Cable*
- Remote Control(s)

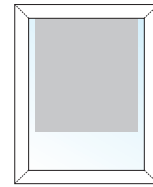
*Battery Motor Only

Note: If additional support brackets have been supplied (for larger shades only) center between the two brackets so that it will pass through the center mounting slot.

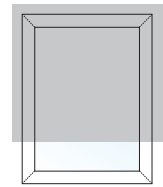
TOOLS YOU WILL NEED:

- Drill with a 1/8" bit & a Phillips bit
- Phillips Screwdriver
- Metal Tape Measure

MOUNT TYPE YOUR INSTALLING FOR:



FOR INSIDE MOUNT
SEE SECTION 1A



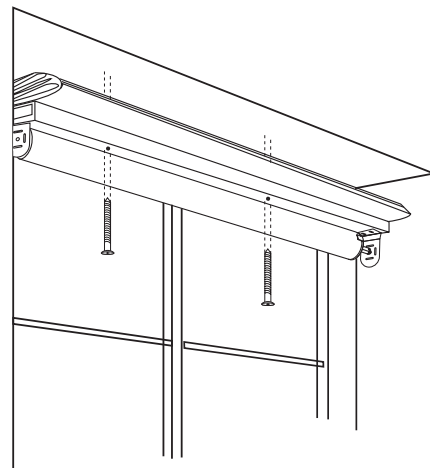
FOR OUTSIDE MOUNT
SEE SECTION 1B

1A. Mounting Your Shade - Inside Mount

(mounting holes are pre-drilled through the headrail)

- Start the screws into the mounting holes and tighten until the tips of the screws are slightly showing on the top of the headrail.
- Hold the shade inside the window frame. If possible, the front of the shade should be even with the front edge of the window frame. The shade should be centered within the window frame.
- With the shade properly positioned, push up on the headrail, allowing the screw tips to leave a small indentation on the window frame.
- Drill a hole with a 1/8" drill bit at the indentions.
- Finish the job by attaching the screws in the headrail into the pre-drilled holes.

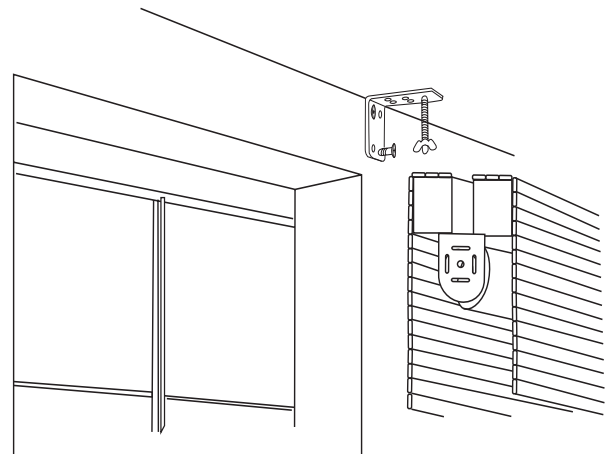
Note: Your brackets must be securely attached to the mounting surface. If your screws are not secure you'll have to use a different fastener which can be found at any local hardware store.



1B. Mounting Your Shade - Outside Mount

- Hold shade at desired height and center on window.
- Place pencil marks at the headrail on the center of the slot holes (control side slot hole with be inset to avoid rubbing control mechanism)
- Center brackets on these marks and install so that the brackets are centered on the slot holes.
- With bracket installed (and level) remove wing nut and install shade to brackets by reinstalling the wing nuts by hand to secure shade to brackets.

Note: Your brackets must be securely attached to the mounting surface. If your screws are not secure you'll have to use a different fastener which can be found at any local hardware store.



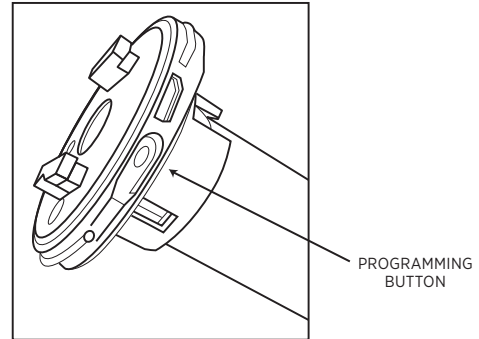
2. Powering on Your Shade

To Activate (Wake Up) Your Battery Motor

- If you selected a battery motor, it's fully charged and has been put into "Sleep Mode" to avoid operation during shipping.
- Press and hold the programming button on the motor head until the motor jogs up and down once.
- The shade is now no longer in "Sleep Mode" and ready for use.
- **Warning: if you press and release the programming button quickly, the motor will lower to its lower limit. Be mindful of this during install process.*

To Activate the Plug-In Motor

- Plug your motor into the wall outlet that will power the shade.
- The shade is ready to use.



3. Operating Your Shade

- Your shades have been pre-programmed.
- A channel has been assigned to each motor based on your specifications.
- We've also set approximate upper and lower limits.
- For more information, see the Quick Start Guide that came with your shade or visit www.theshadestore.com/motors-help.

Care and Cleaning

Always clean with a low suction, hand held vacuum or dust with a soft, clean cloth or feather duster. If you're dealing with dirt and stains, we suggest using a Mr. Clean® magic eraser to spot treat dirt and stains. This is available online, at local home improvement stores or we can send directly to you via USPS (1-3 days) at no charge.

Warranty

The Shade Store products are covered by a limited lifetime warranty. This warranty covers any defects in materials or workmanship so long as the product is measured and installed according to instructions. Every Shade Store window treatment is designed to provide trouble-free use.