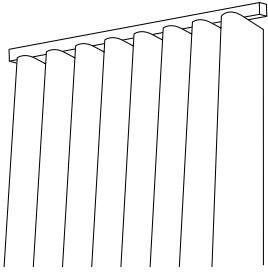


# INSTALLING YOUR MOTORIZED CUSTOM TRACK SYSTEM



**PARTS INCLUDED:**

- Mounting Brackets with Screws
- Tracks(s)
- Motor
- Remote Control(s)

**TOOLS YOU WILL NEED:**

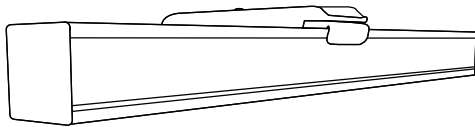
- Drill with a 1/8" bit & a Phillips bit
- Phillips Screwdriver
- Metal Tape Measure

**Note:** Your brackets must be securely attached to the mounting surface. If your screws are not secure you'll have to use a different fastener which can be found at any local hardware store.

## Wall Mount Instructions

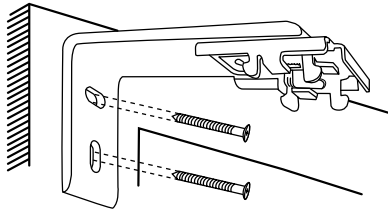
### 1A. Installing Your Drapery Hardware

- Determine the height of the top of track and mark bracket height on the wall for all the brackets and adjust (as necessary) to make sure they are all leveled.
- Measure the width of the track and mark the two end brackets approximately 6" - 8" in from the ends of the track. Evenly space the remaining brackets and place corresponding marks.

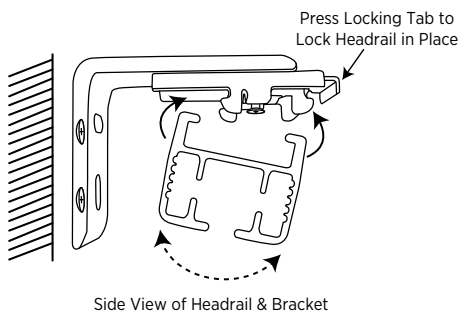


\*For heavy draperies keep the brackets spaced tightly to prevent drapery track from sagging.

- To attach the bracket to the wall; first pre-drill holes for screw diameter when mounting into wood frame of window or wall stud. Otherwise, pre-drill and install anchors first before fastening with screws.



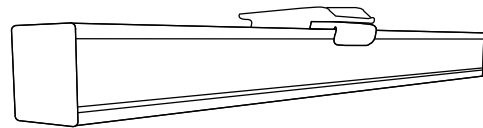
- Hook the ridge of the headrail onto the back tab of the bracket as shown in the drawing below. Press locking tab on end and rotate headrail up to lock the headrail into place. Repeat this step for the remaining brackets.



## Ceiling Mount Instructions

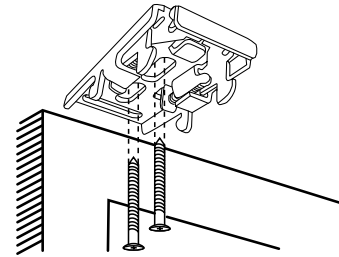
### 1B. Installing Your Drapery Hardware

- Measure the width of the track and mark the two end brackets approximately 6" - 8" in from the ends of the track. Evenly space the remaining brackets and place corresponding marks.

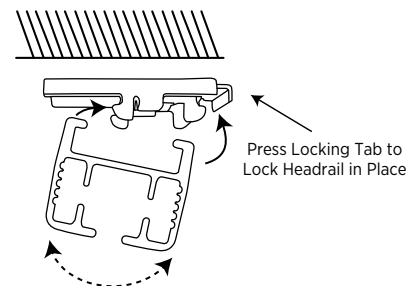


\*For heavy draperies keep the brackets spaced tightly to prevent drapery track from sagging.

- To attach the bracket to the ceiling; first pre-drill holes for screw diameter when mounting into wood frame of window or wall stud. Otherwise, pre-drill and install anchors first before fastening with screws.

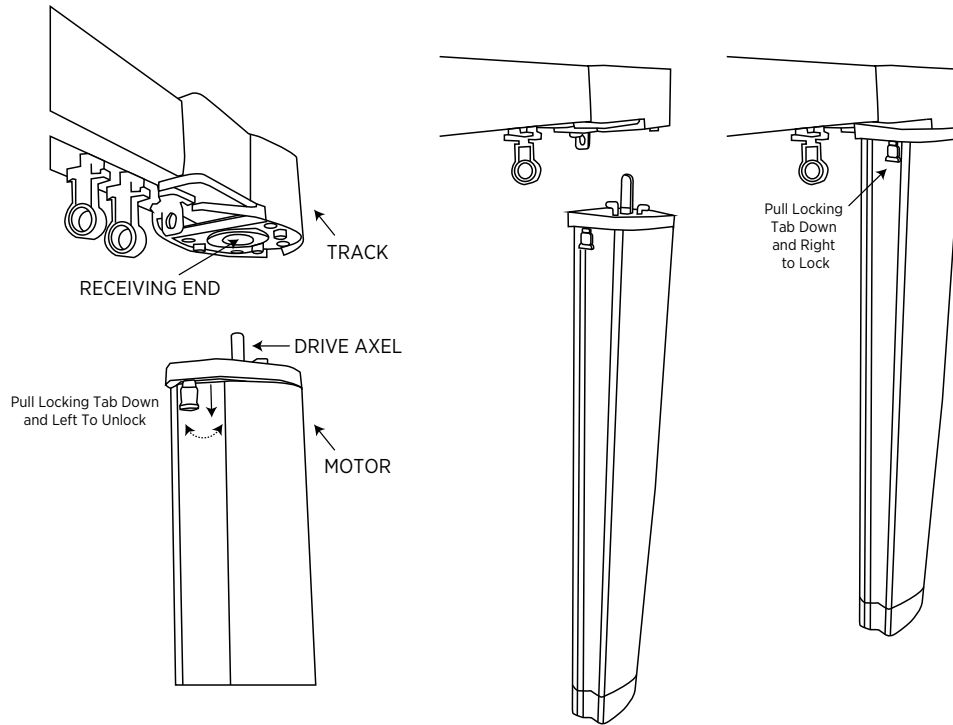


- Hook the ridge of the headrail onto the back tab of the bracket as shown in the drawing below. Press locking tab on end and rotate headrail up to lock the headrail into place. Repeat this step for the remaining brackets.



## 2. Attaching the Motor

- Align the drive axle on the motor with the receiving end on the track.
- The drive axle may need to be rotated to insure that it fully seats into the track.  
The top of the motor will be flush with the track when installed correctly.
- Pull the locking pin down and slide to the locked position.
- The motor is installed.



## 3. Operating Your Drapery

- Your motorized drapery track has been pre-programmed.
- A channel has been assigned based on your specifications.
- We've also set opening and closing limits.
- For more information, see the Quick Start Guide that came with your drapery or visit [www.theshadestore.com/motors-help](http://www.theshadestore.com/motors-help).

## Care and Cleaning

Always clean with a low suction, hand held vacuum or dust with a soft, clean cloth or feather duster.

## Warranty

The Shade Store products are covered by a limited lifetime warranty. This warranty covers any defects in materials or workmanship so long as the product is measured and installed according to instructions. Every Shade Store window treatment is designed to provide trouble-free use.