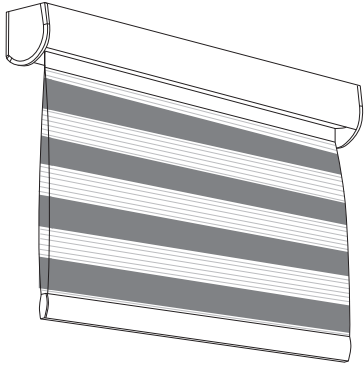


INSTALLING YOUR MOTORIZED DOUBLE ROLLER SHADES



PARTS INCLUDED:

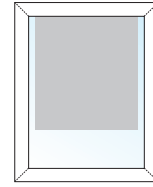
- Screws
- Mounting Brackets
- Plug-In Charger*
- Remote Control(s)
- Locking Tab

*Battery Motor Only

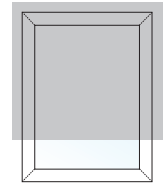
TOOLS YOU WILL NEED:

- Drill with a 1/8" bit & a Phillips bit
- Phillips Screwdriver
- Metal Tape Measure

MOUNT TYPE YOUR INSTALLING FOR:



FOR INSIDE MOUNT
SEE SECTION 1A

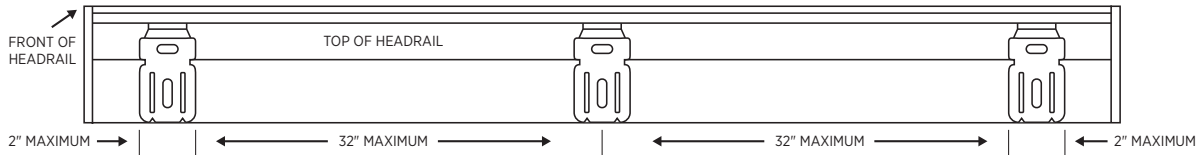


FOR OUTSIDE MOUNT
SEE SECTION 1B

Note: Your brackets must be securely attached to the mounting surface. If your screws are not secure you'll have to use a different fastener which can be found at any local hardware store.

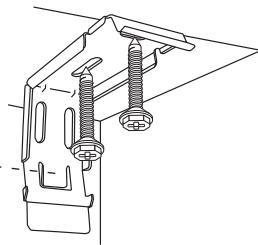
1. Select Mount Type:

- Mount the brackets to the wall or window frame, with the outside brackets no further than 2 inches (5 cm) from the ends of the headrail. On wide shades, space the additional bracket(s) at equal intervals. Use 2 screws per bracket.



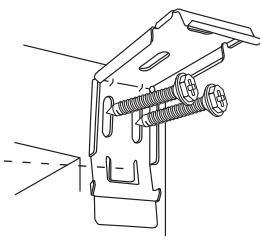
Inside Mount:
For inside or ceiling mounts, use the top bracket holes.

Make sure the release tab is always mounted on the bottom.



Outside Mount:
For wall or outside mounts, use the rear bracket holes.

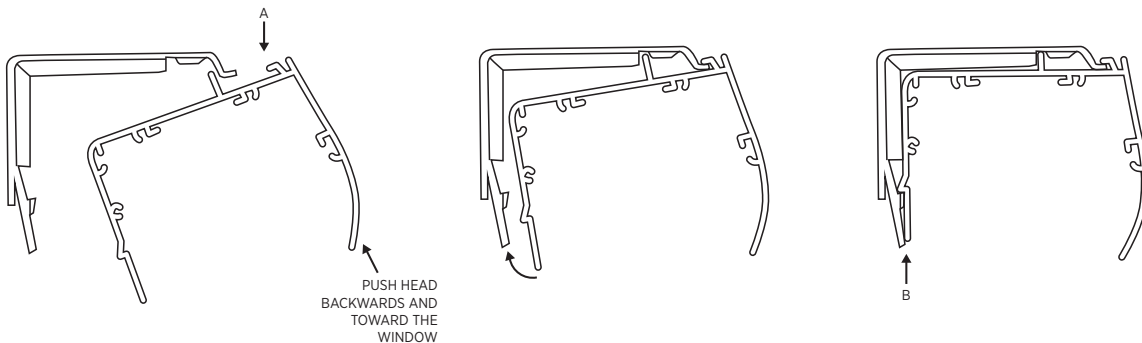
Make sure the release tab is always mounted on the bottom.



Note: Brackets must be securely attached to the mounting surface. If your screws do not hit wood studs you'll have to use a different fastener which can be found at any local hardware store.

2. Mount the Headrail:

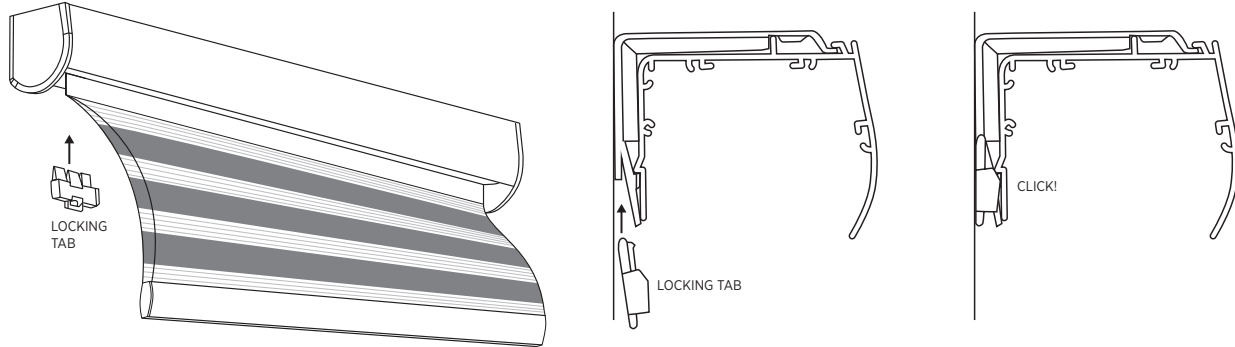
- Position the headrail with the front panel (A) resting on the top lip of all brackets. Push the bottom front of the headrail firmly backwards and toward the window until the lip on the rear of the headrail engages the bracket and snaps into place, (B) as shown.



Note: Roller Shades are not meant to be lowered past the ordered length. The shade will come with additional material that is automatically added in length to conceal the roller tube and to help secure the fabric on the roll.

3. Install Locking Tab to Bracket (Outside Mount Only):

- Once the shade is installed, place the locking tab flat against the wall in line with the bracket on motor side. Press locking tab upwards until you hear a click.



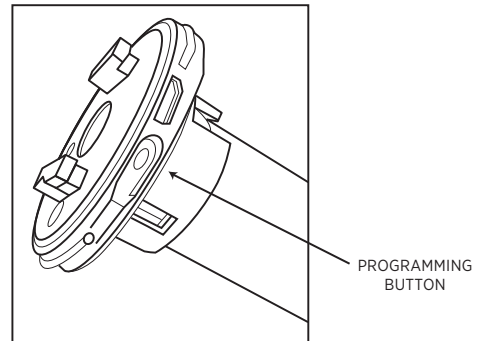
4. Powering on Your Shade

To Activate (Wake) Your Battery Motor

- If you selected a battery motor, it's fully charged and has been put into "Sleep Mode" to avoid operation during shipping.
- Press and hold the programming button on the motor head until the motor jogs up and down once.
- The shade is now no longer in "Sleep Mode" and ready for use.
- *Warning: if you press and release the programming button quickly, the motor will lower to its lower limit. Be mindful of this during install process.*

To Activate the Plug-In Motor

- Plug your motor into the wall outlet that will power the shade.
- The shade is ready to use.

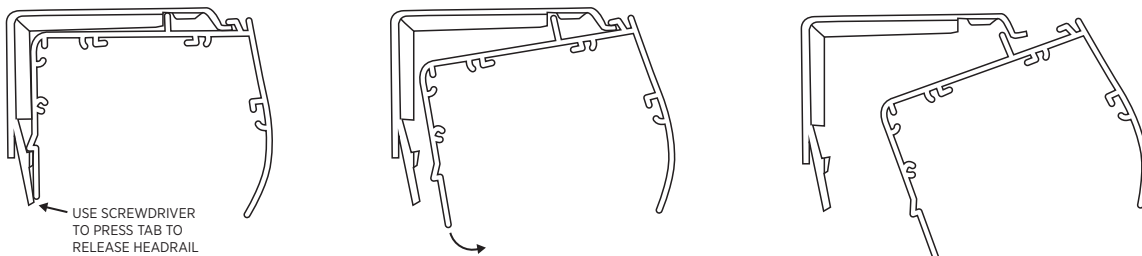


5. Operating Your Shade

- Your shades have been pre-programmed.
- A channel has been assigned to each motor based on your specifications.
- We've also set approximate upper and lower limits.
- For more information, see the Quick Start Guide that came with your shade or visit www.theshadestore.com/motors-help.

6. Removing the Shade:

- Use a screwdriver to push the bottom of the bracket backwards, away from the headrail. Once the headrail is released from the bottom of the bracket lift upward to unhook from the top of the bracket. Remove the locking tab with a screwdriver first if you have an outside mount.



Care and Cleaning

Minimal care and cleaning is needed to maintain the beauty of your shades. **To vacuum:** Use a hand held, low suction vacuum. **To dust:** Use a soft, clean cloth or a feather duster.

Warranty

The Shade Store products are covered by a limited lifetime warranty. This warranty covers any defects in materials or workmanship so long as the product is measured and installed according to instructions. Every Shade Store window treatment is designed to provide trouble-free use.