

# PANEL SYSTEM INSTALLATION INSTRUCTIONS

SIMPLY FOLLOW OUR STEP-BY-STEP INSTRUCTIONS AND YOUR BEAUTIFUL NEW SHADES WILL SOON BE ENHANCING YOUR HOME OR WORKSPACE FOR MANY YEARS TO COME.

## 1. Preparing to Install the Panel System:

We recommend reading through these instructions before starting the installation. After removing panel system from its packaging, ensure you have all the parts needed for installation. Do not dispose of the packaging until installation is complete. As with most installations of this type, a secure attachment to the mounting surface is required. All bracket-mounting screws must screw into wood. If your particular installation requires you to mount the brackets to a surface other than wood, be sure to use the appropriate fasteners. These can be purchased at your local hardware store.

\* According to the Window Covering Manufacturers Association Inc., all labels must not be removed from the product.

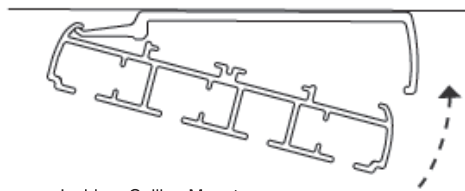
\* To comply with child safety standards, all tension devices must be installed per the installation instructions provided in step 4.

## 2. Bracket Attachment:

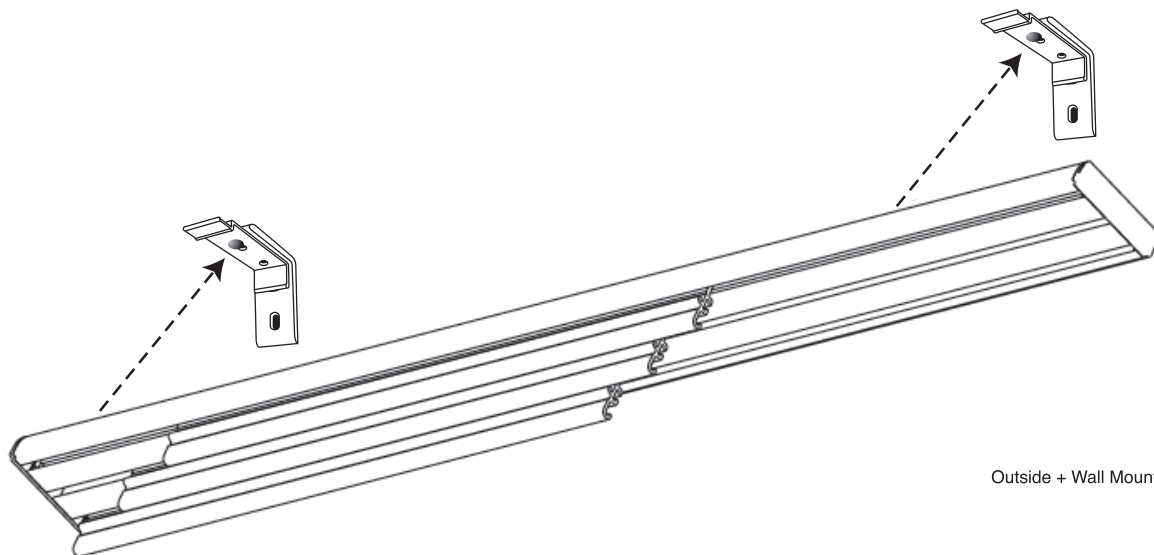
**Inside Mount:** The brackets must be located 4" in from the ends of the track. You must have a minimum of 1" of space from the center of the hole on the bracket and the window (or window hardware) for two and three channel track. The four and five channel track require a minimum of 1<sup>5</sup>/<sub>8</sub>" distance from the center of the hole to the window (or window hardware). The minimum distance will ensure the panels will have enough room to open and close. Attach the brackets with the screws provided ensuring brackets are in line. If the panel track requires more than two brackets, locate the extra bracket and evenly space between the two brackets.

**Outside Mount:** Locate the position of the headrail over the window. Mark the location of the ends of the headrail on the wall. Attach the extension brackets on the wall 4" in from the ends of the headrail. Make sure the brackets are level with each other. If the panel track requires more than two brackets, locate the extra bracket and evenly space between the two end brackets.

\* Please note that your brackets must be securely attached to the mounting surface. If your screws do not hit wood studs you'll have to use a different fastener which can be found at any local hardware store.



Inside + Ceiling Mount



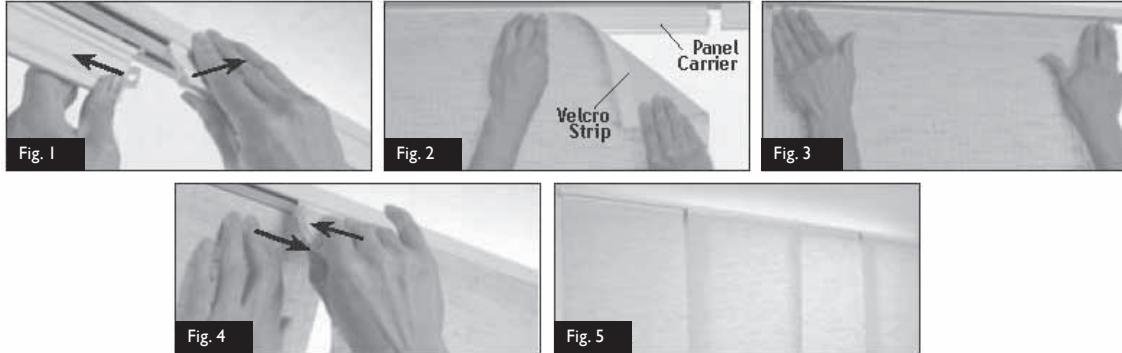
Outside + Wall Mount

# PANEL SYSTEM INSTALLATION INSTRUCTIONS (continued)

SIMPLY FOLLOW OUR STEP-BY-STEP INSTRUCTIONS AND YOUR BEAUTIFUL NEW SHADES WILL SOON BE ENHANCING YOUR HOME OR WORKSPACE FOR MANY YEARS TO COME.

## 3. Attaching the Panels:

Pull forward on the bottom of the front panel carrier and pushing back on the bottom of the back panel carrier; slide the back carrier from behind the front carrier (Fig. 1). Repeat this action for the number of panels on your headrail. Align the velcro strip at the top of the panel with the velcro strip on the front face of the panel carrier line. Beginning at one end press the velcro strips together across the panel carrier. Be sure to go back and press the velcro to ensure a secure attachment (Fig. 2 & 3) repeat this step until all panels are attached. After all panels have been installed, return the carriers to their original positions (Fig. 4). Once finished the panels should overlap (Fig. 5).



## 4. Installing Tension Device (Continuous Loop Control):

### Consider Position of Tension Device:

The tension device should be positioned on the window frame or the wall so that the tension device and control cord does not interfere with operation / hanging of shade.

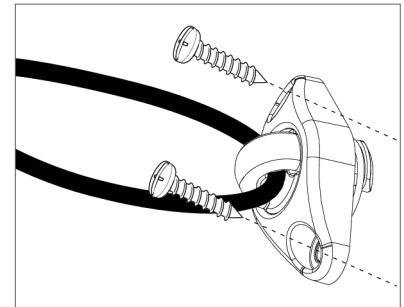
**The tension device should be installed so that cord is taut without stretching or pulling down on it. Stretching the cord will cause excessive wear. Do not twist or cross the control cord.**

### Install Tension Device:

Press and hold the back spring on the tension device that is pre-installed at the top of the cord loop. With the spring held, slide the device down to the bottom of the loop to where you would like the device positioned.

Insert and secure the two screws through the holes in the device. The loop should now pass freely through the tension device.

**Please Note:** When attaching to wood, included screws can be screwed directly into wood. When attaching to drywall and metal, use anchors that are designed for such substrates. Visit your local hardware store for guidance on appropriate anchors for your substrate.



## Installing Baton (Baton Control Only):

You may attach the baton(s) to the rear of the lead panel(s). Simply fit the metal hook on the baton through the slot on the back of the leading panel(s).



## Care and Cleaning:

If the shade is dusty, simply vacuum over it using an upholstery attachment. For cleaning soiled spots, we recommend contacting the Help Desk.

## Warranty:

The Shade Store products are covered by a limited lifetime warranty. This warranty covers any defects in materials or workmanship so long as the product is measured and installed according to instructions. Every Shade Store window treatment is designed to provide trouble-free use. In the unlikely event that warranty service is ever needed, simply contact the Help Desk at [help@theshadestore.com](mailto:help@theshadestore.com) or 800-754-1455 for assistance.