

WROUGHT IRON HARDWARE INSTALLATION INSTRUCTIONS

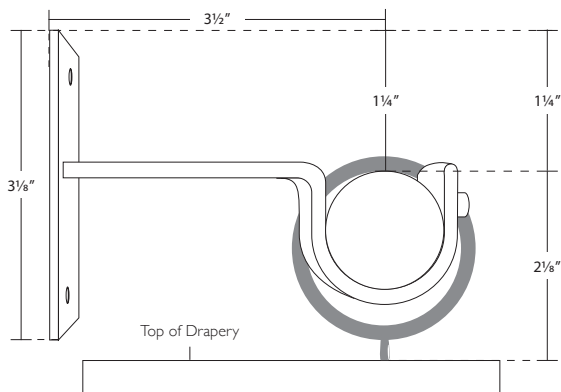
Getting Started: Please read through all instructions carefully before you begin installation.

Unpack all materials making sure all components are included:

- Pole
- Drapery rings (optional)
- Mounting hardware
- Finials

Tools You Will Need:

- Drill with $\frac{1}{8}$ " bit and a phillips bit
- Phillips screwdriver
- Metal tape measure



* Please note the important dimensions above as they will be helpful in determining your installation height.

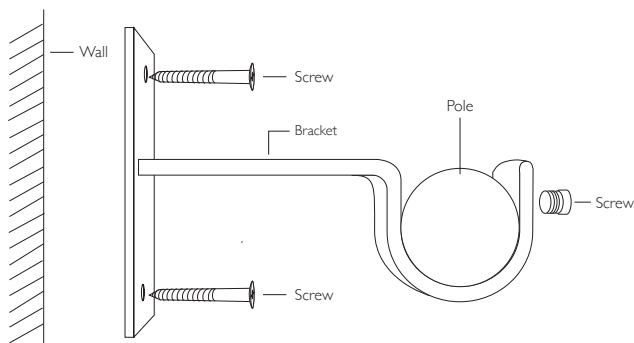
INSTALLING WROUGHT IRON DRAPERY HARDWARE: Please read through all instructions carefully before you begin.

1 Mark

Mark the height you would like the top of your drapery pole to be installed, taking into account any clearance or puddling you desire at the bottom, as well as top of pole to top of drapery difference – $2\frac{1}{8}$ ".

2 Mount

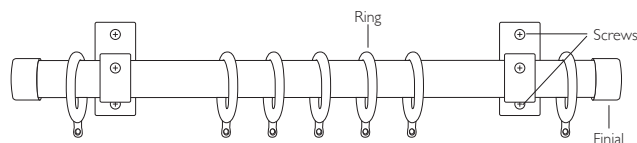
Place the top of the bracket $1\frac{1}{4}$ " above marked height. Drill in screws through the two pre drilled holes on the base of the bracket for a secure mount. Repeat this process for all other brackets.



3 Attach Rings and Pole

Slide rings onto pole. You may want to leave one ring on the outside of each of the end brackets.

Set the pole on brackets. Tighten screw on the front of the bracket to fasten pole in place.



4 Attach Finials

Attach finial to both ends of the pole.